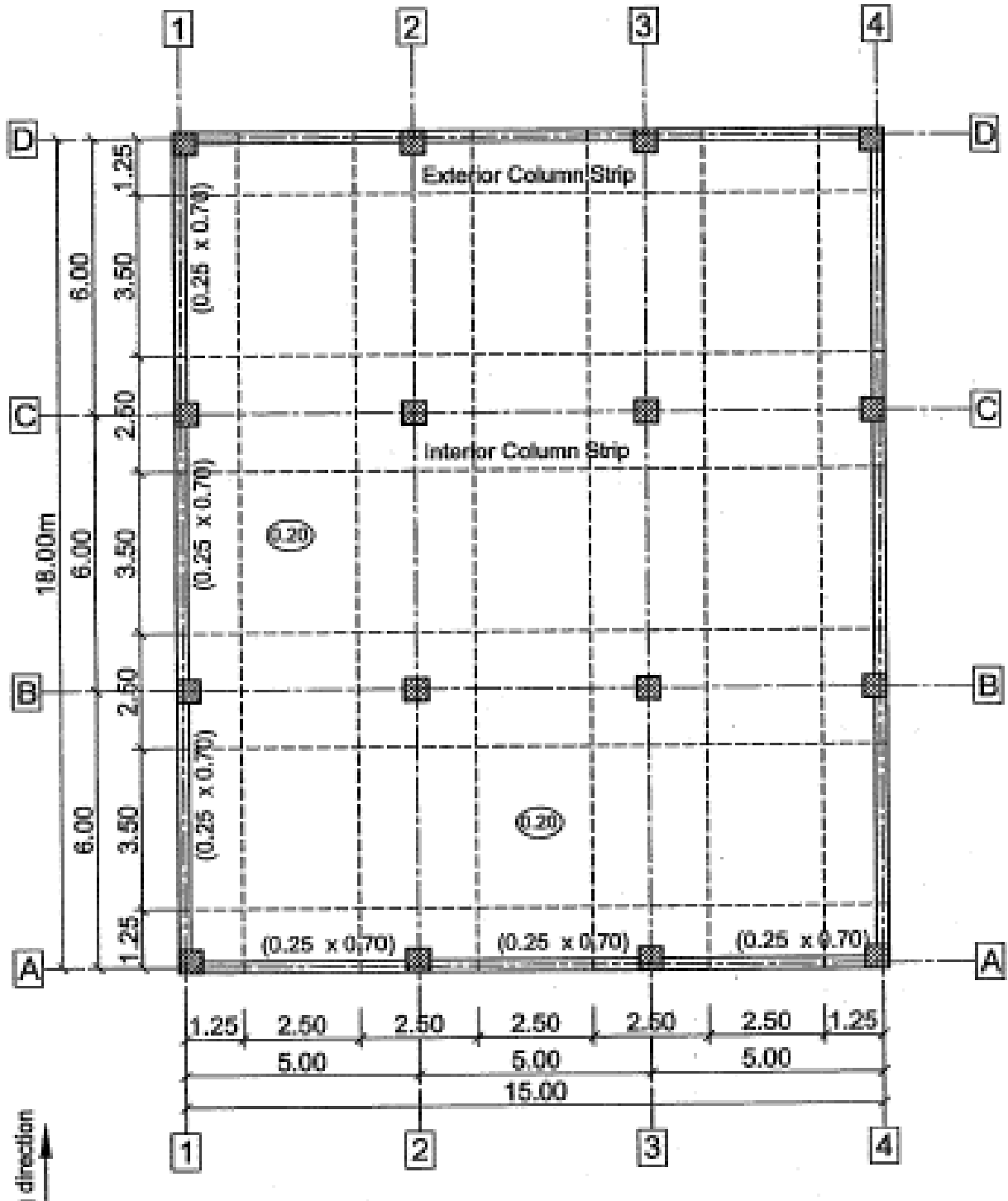
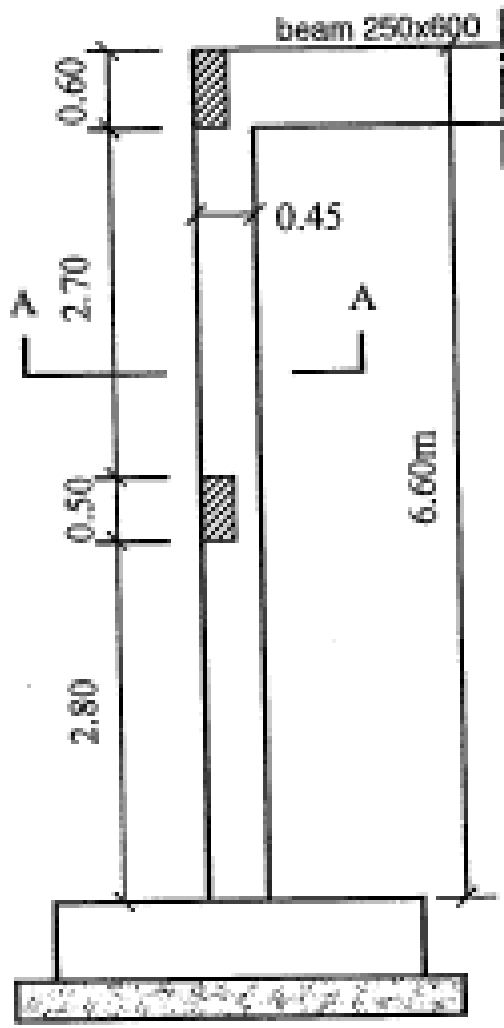
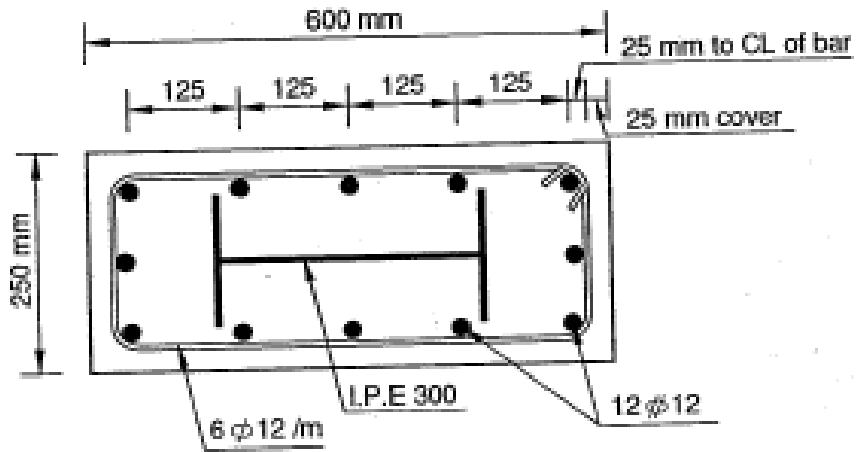


Assignment (2)



All Columns are 50x50 cm



Elevation

Send your Home Work at amrtop_hti@yahoo.com