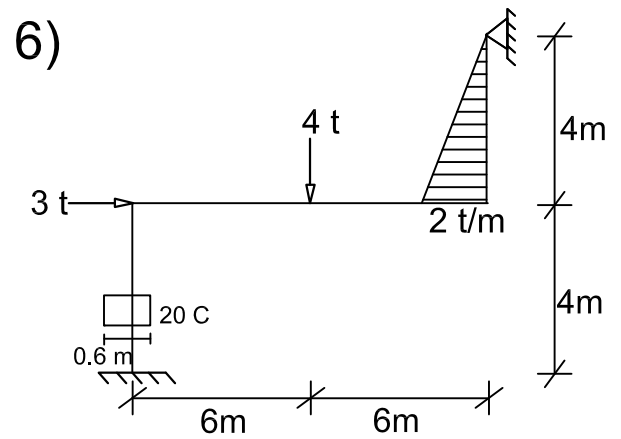
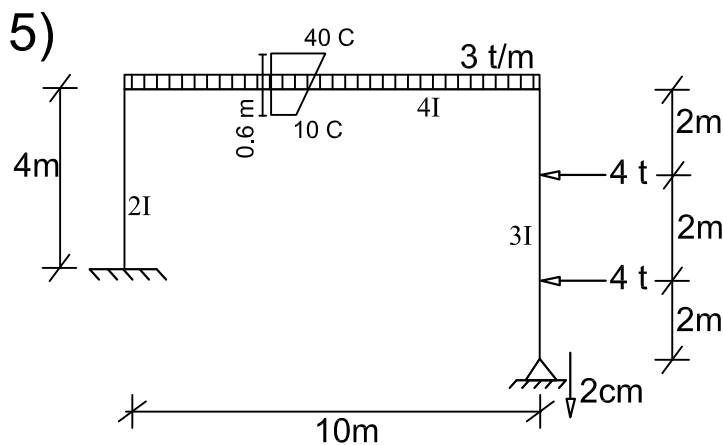
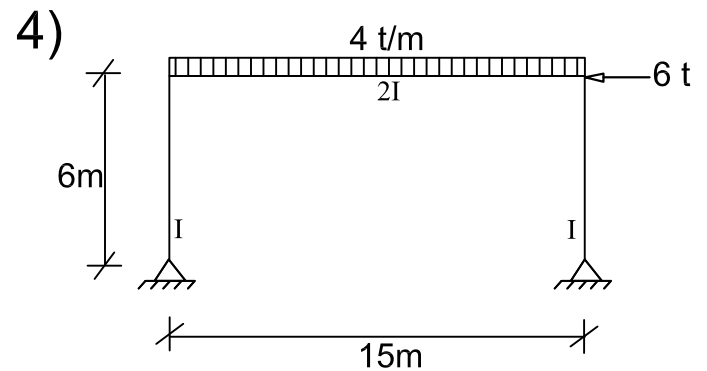
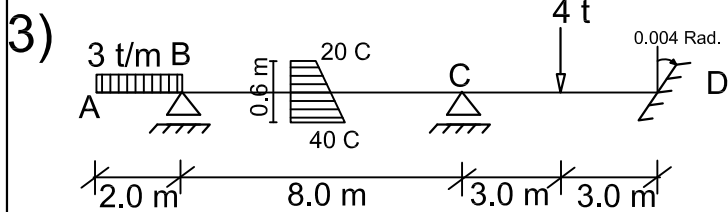
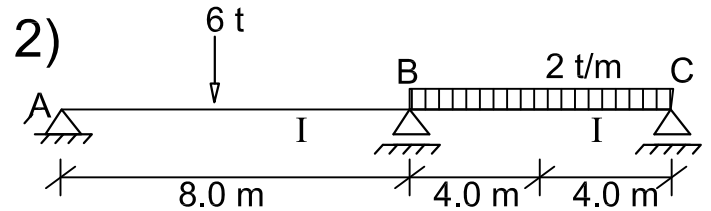
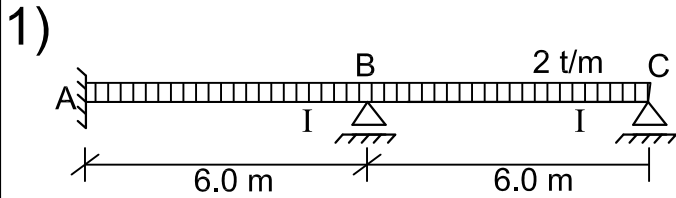
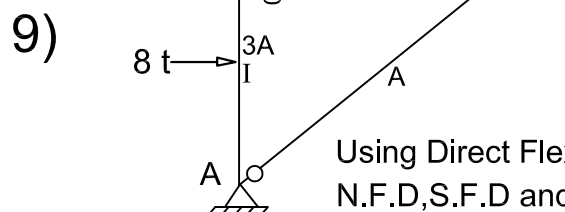
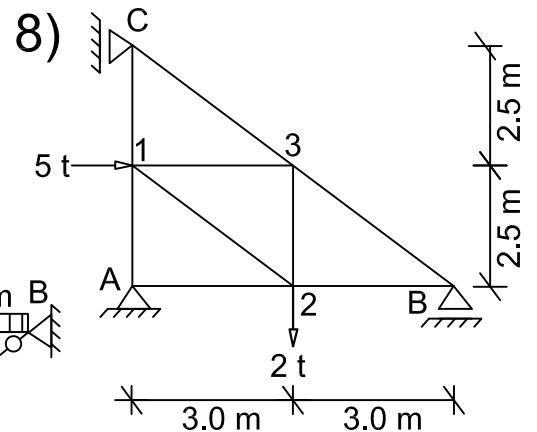
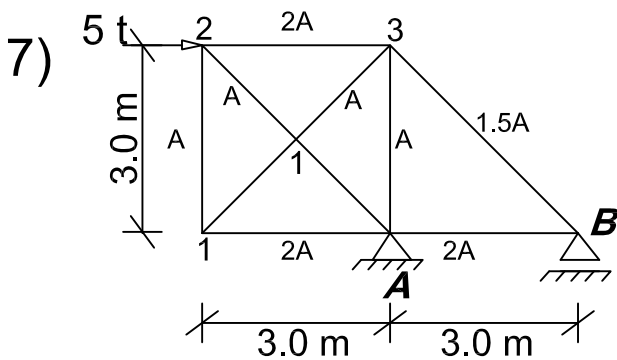


Using Direct Flexibility Method to Draw B.M.D and S.F.D for the Following Beams and Frames:



Using Direct Flexibility Method to Draw N.F.D for the Following Truss:



Using Direct Flexibility Method to Draw
 N.F.D, S.F.D and B.M.D