


Large span Halls

Lecture (4)

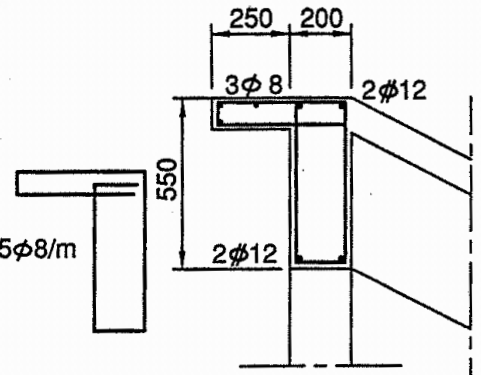
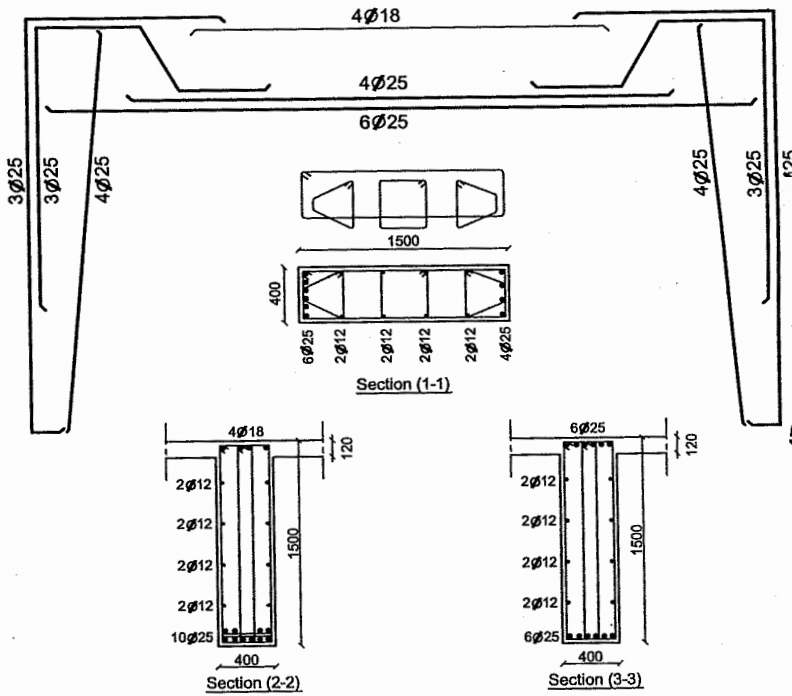
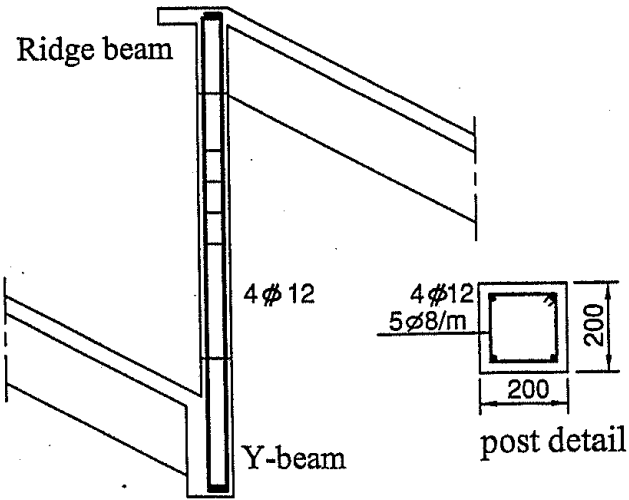
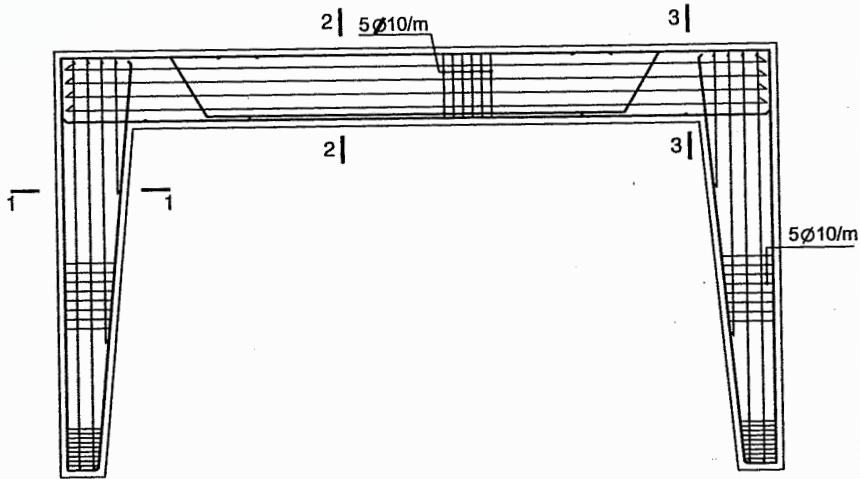
Reinforcement Details

By:

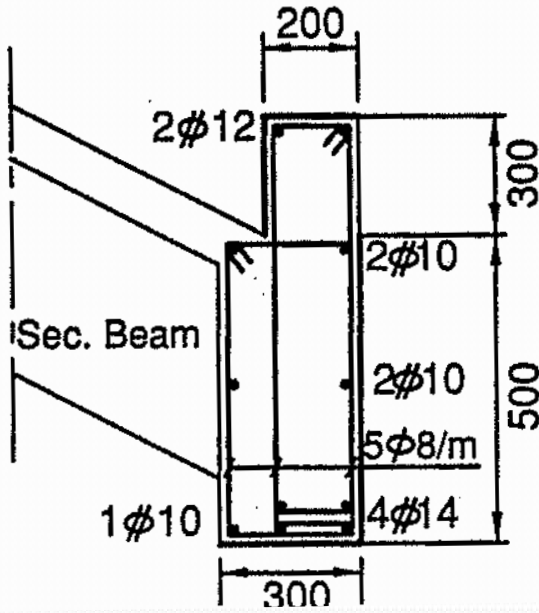
Dr. Islam M. El-Habbal



Reinforcement Details of Frames

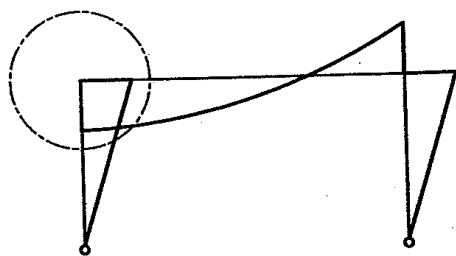
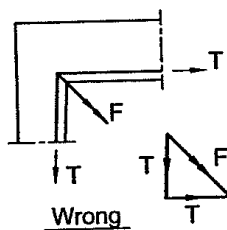
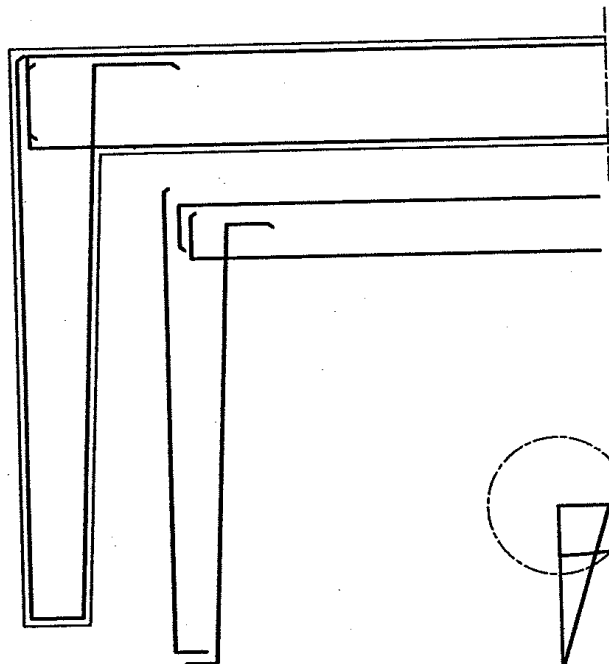
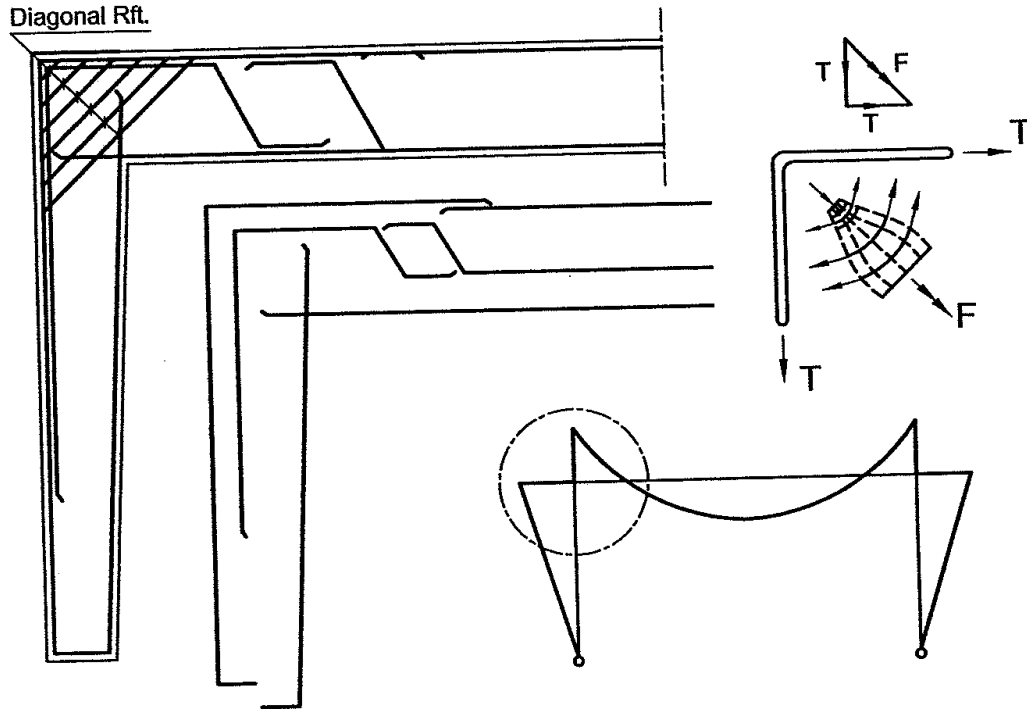


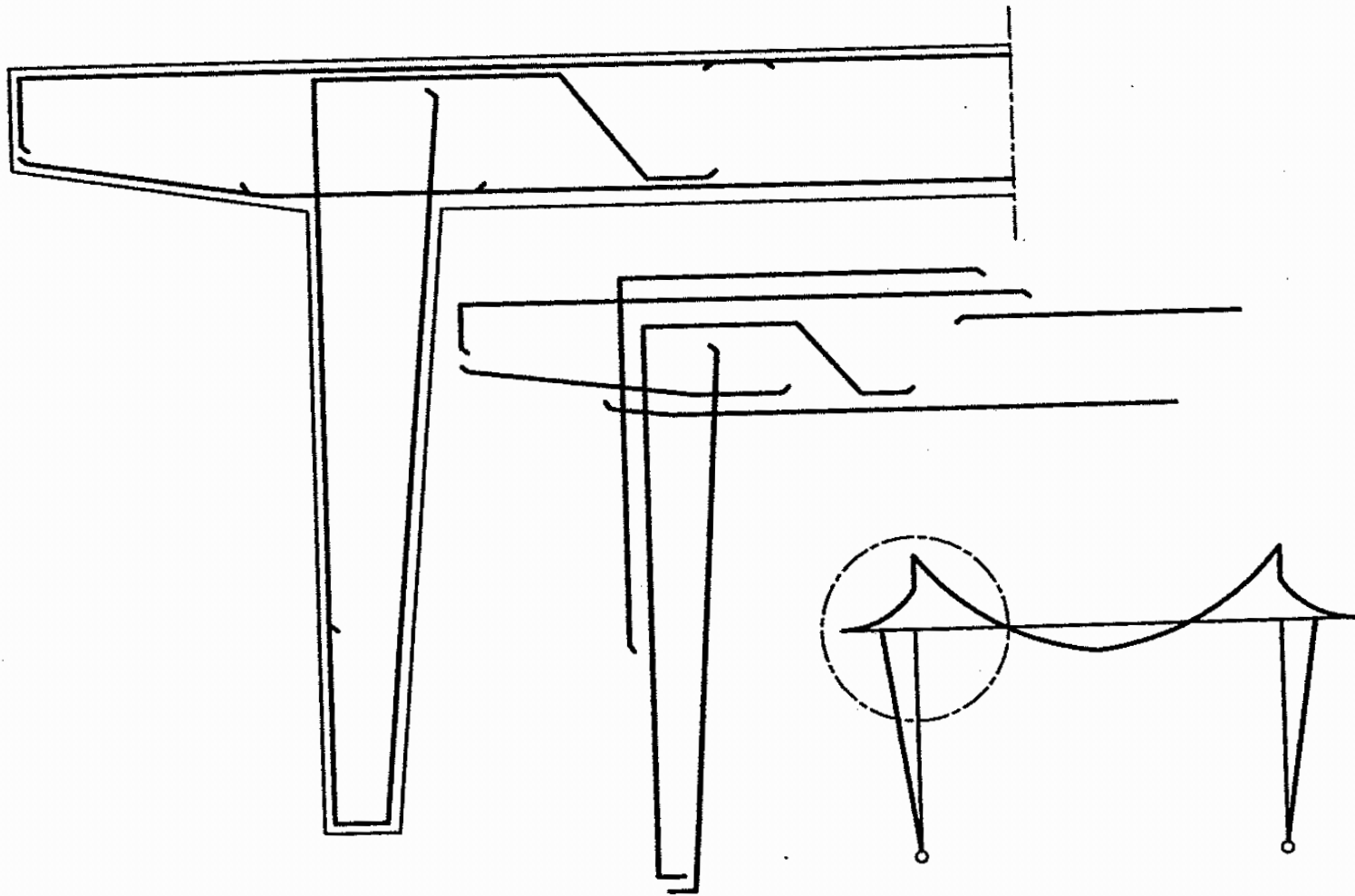
Typical Section in Ridge beam

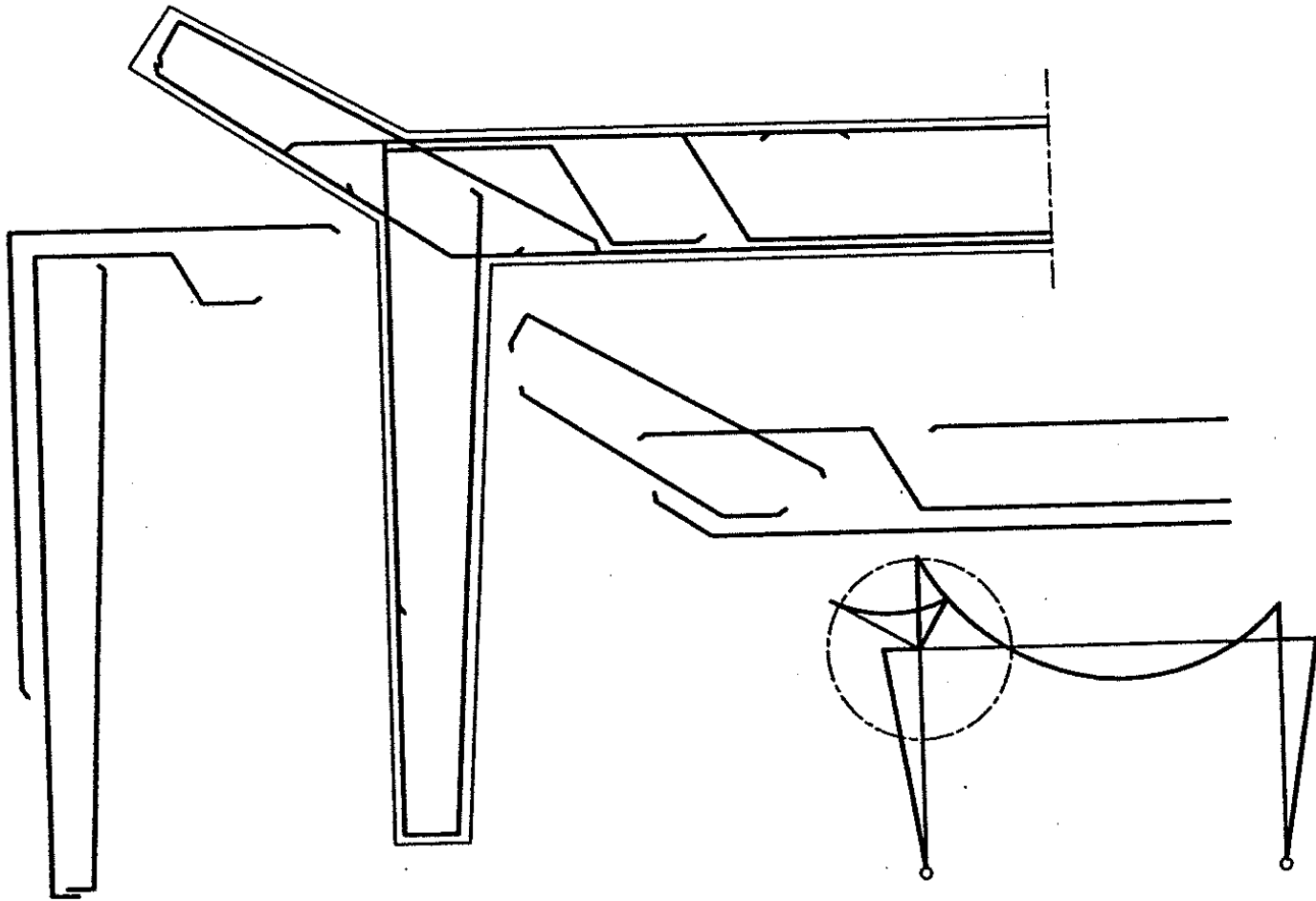


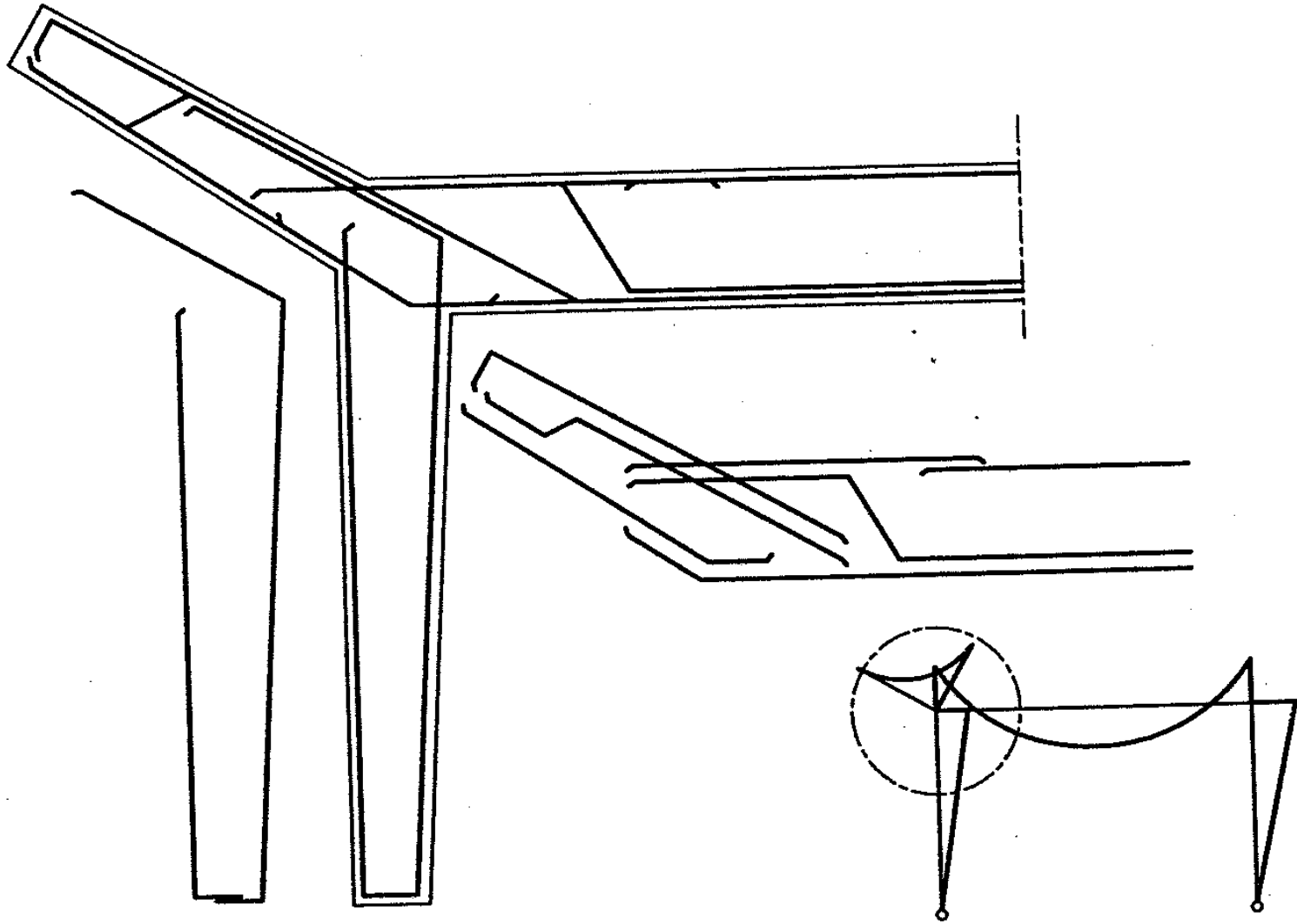
Typical Section in Y-beam

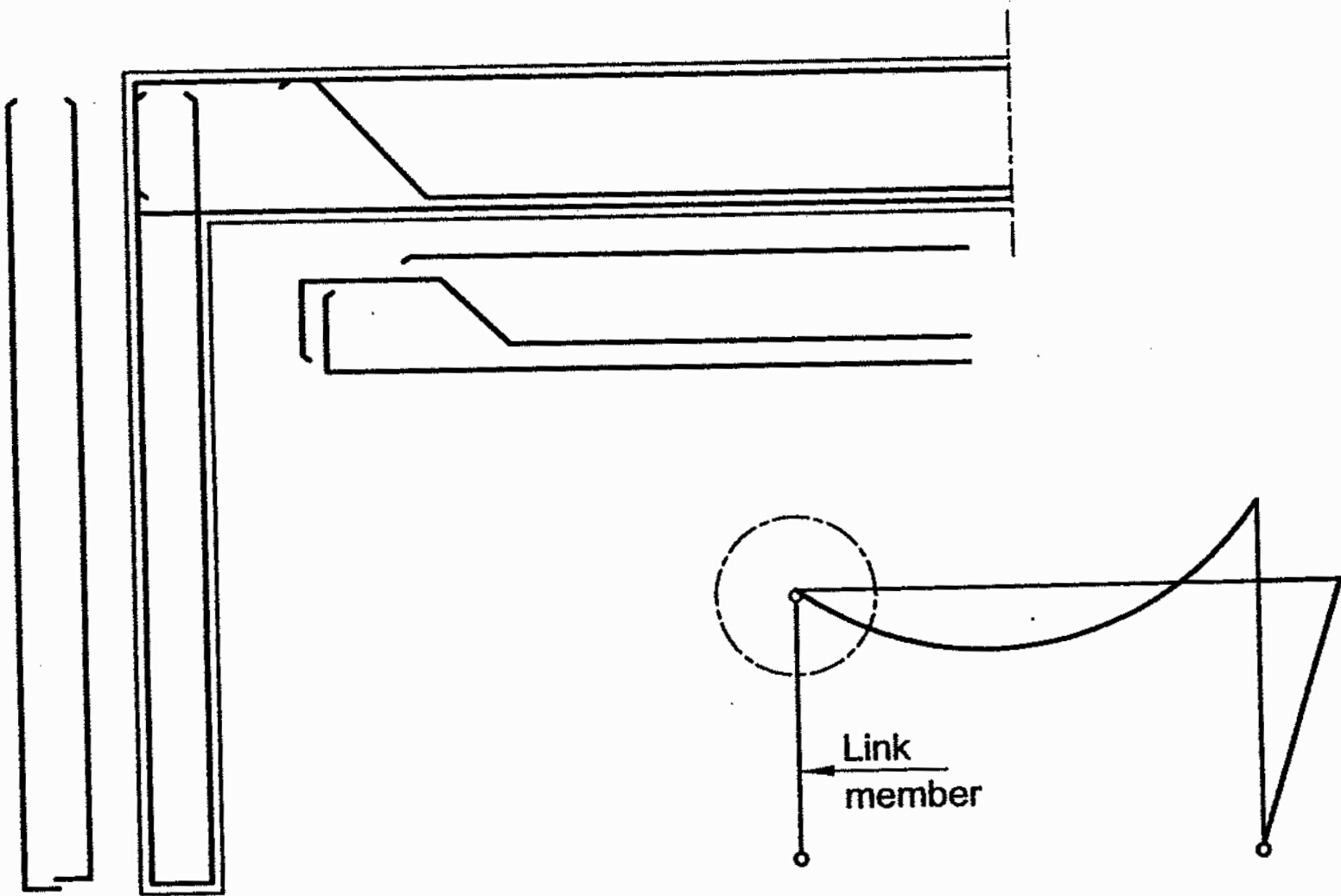
Diagonal Rft.

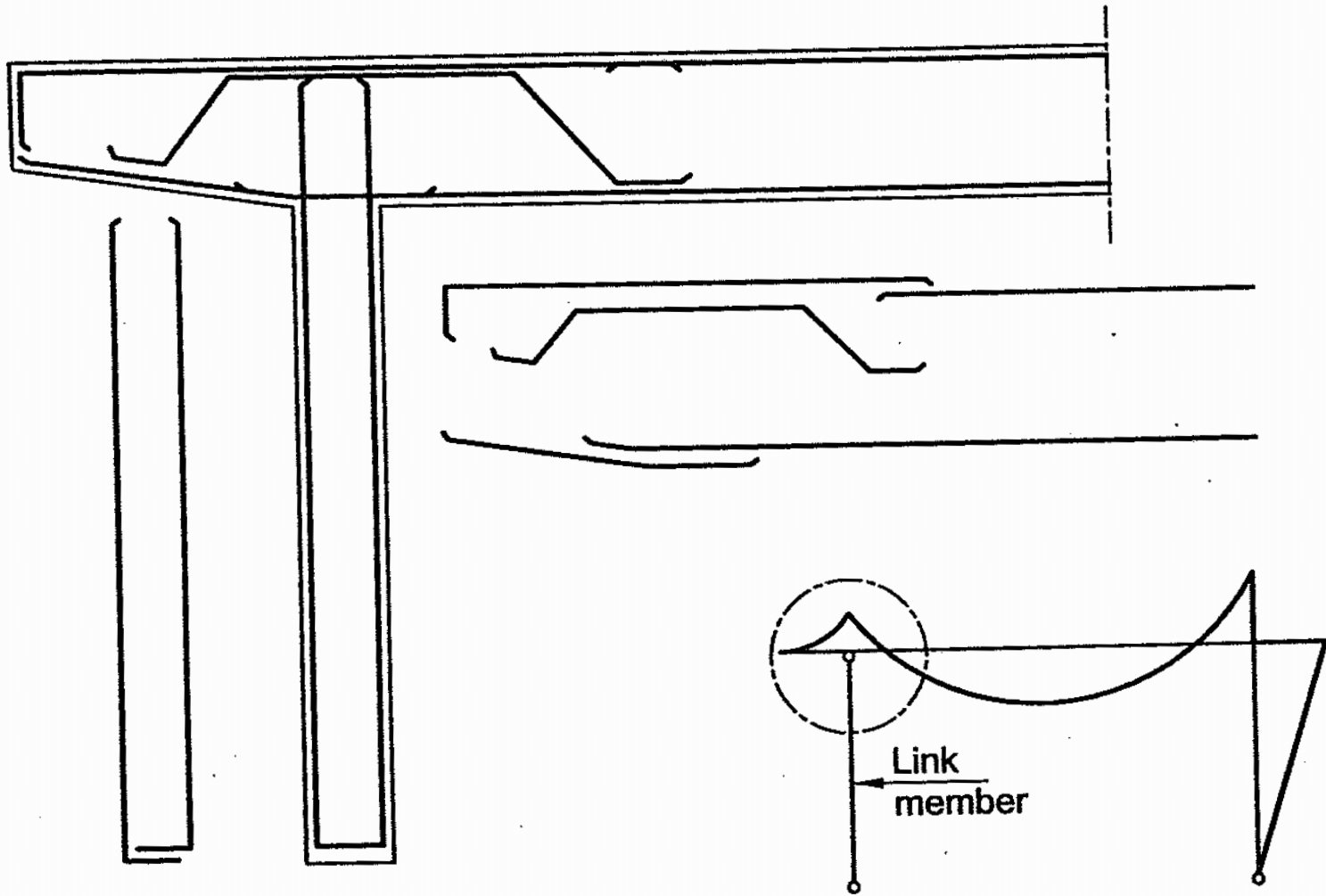


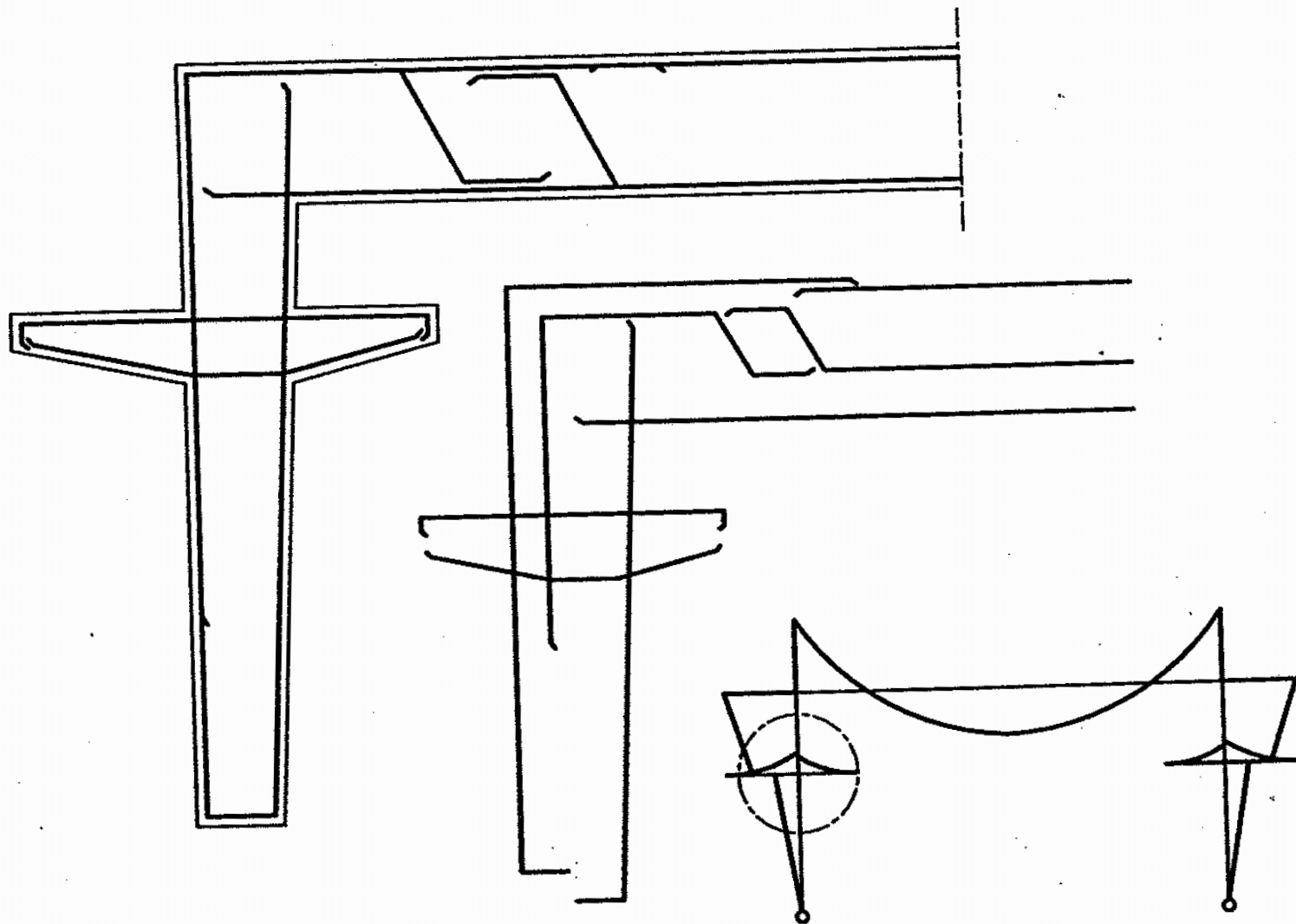


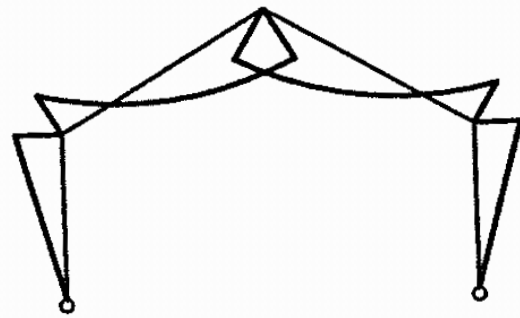
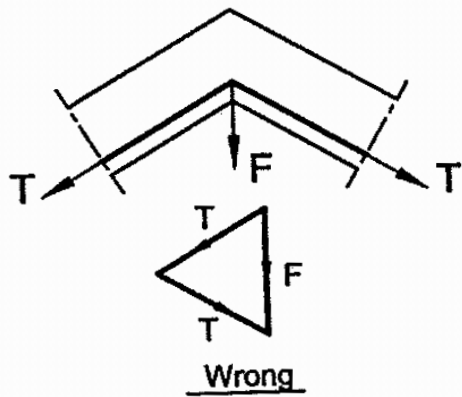
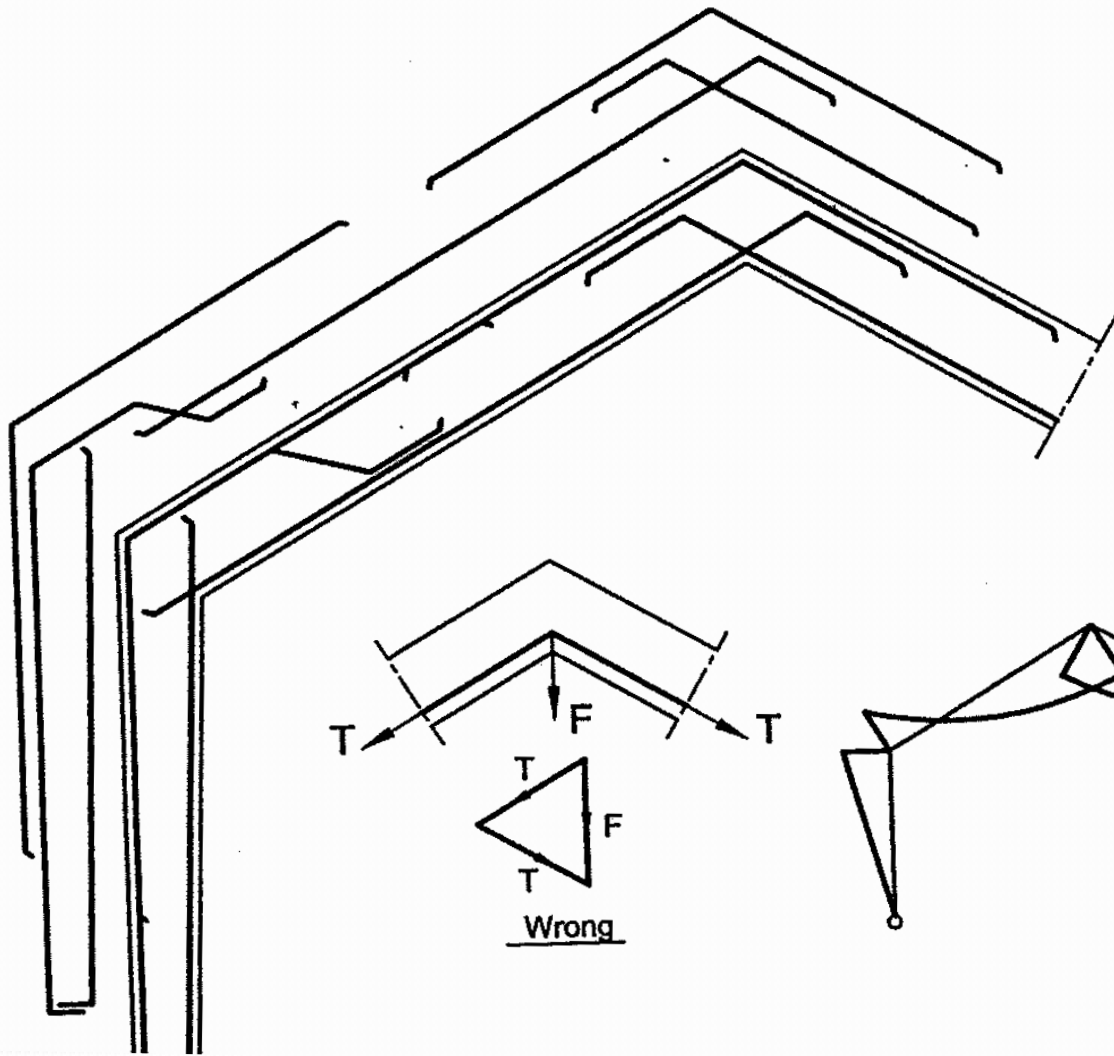


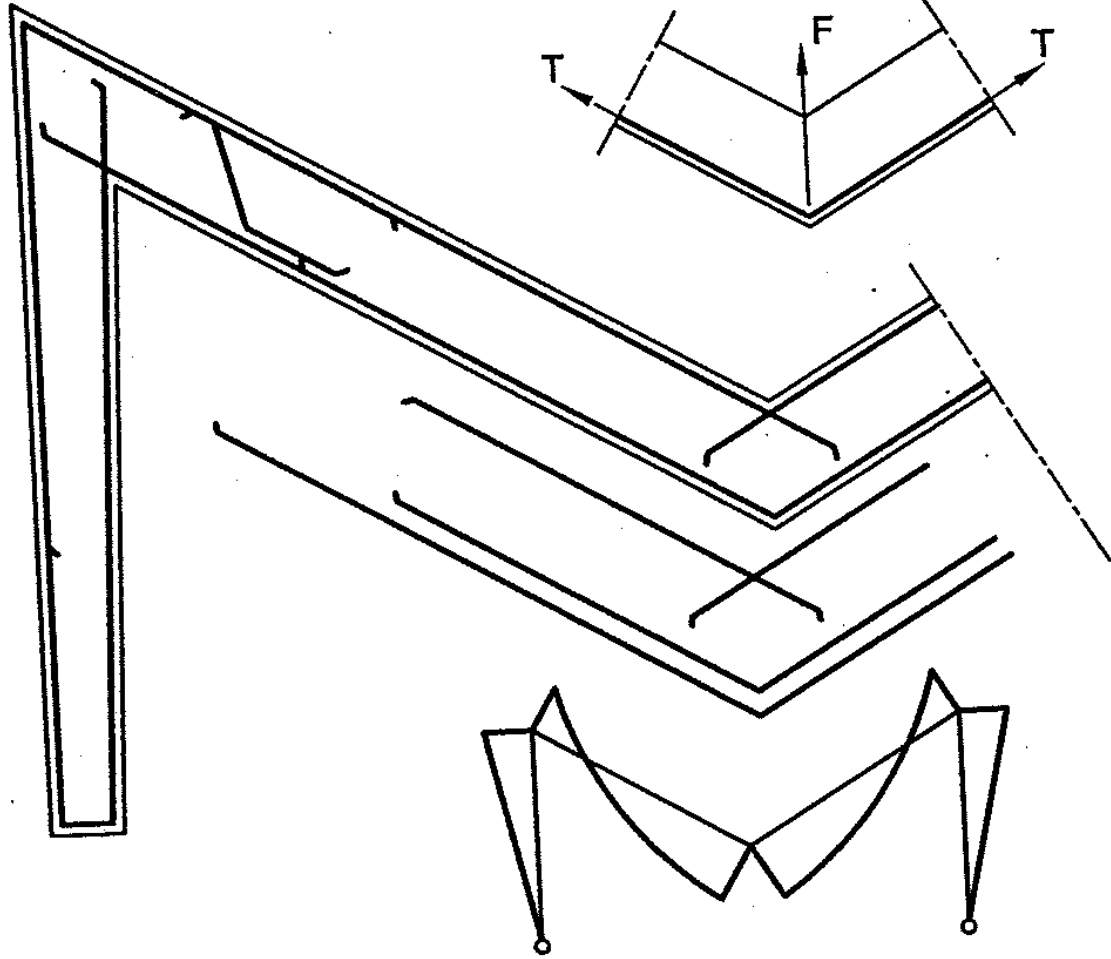
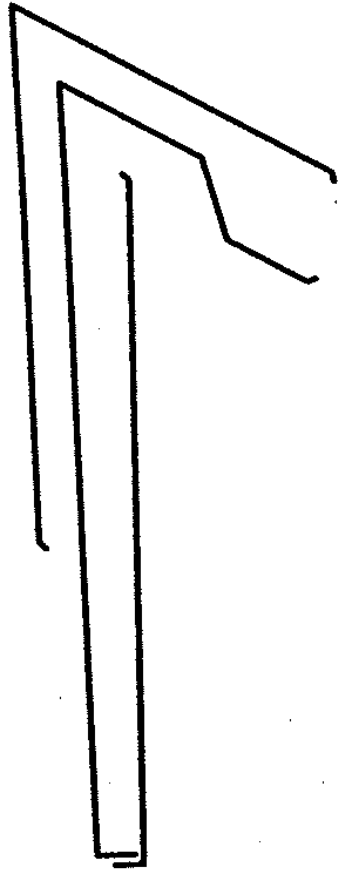


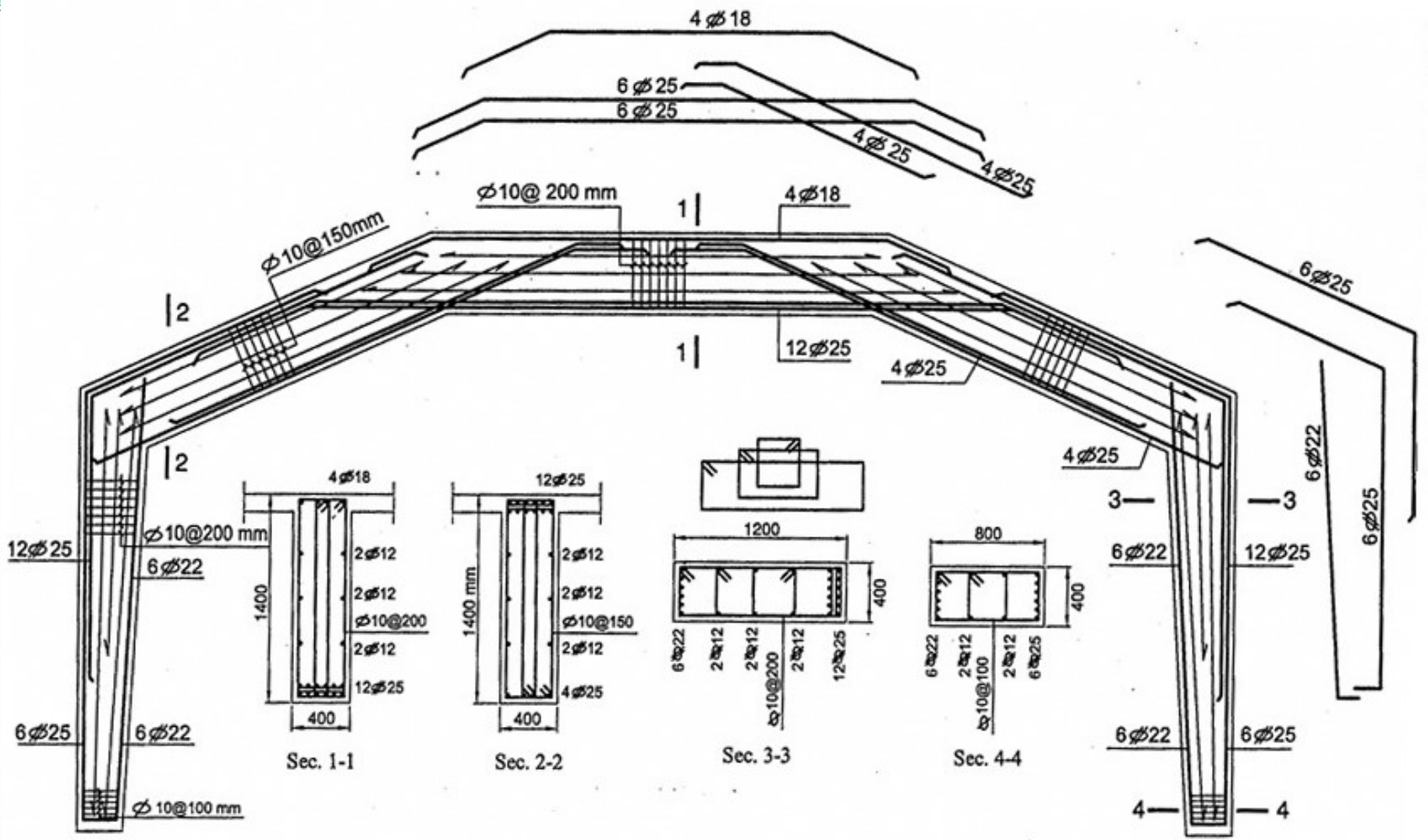


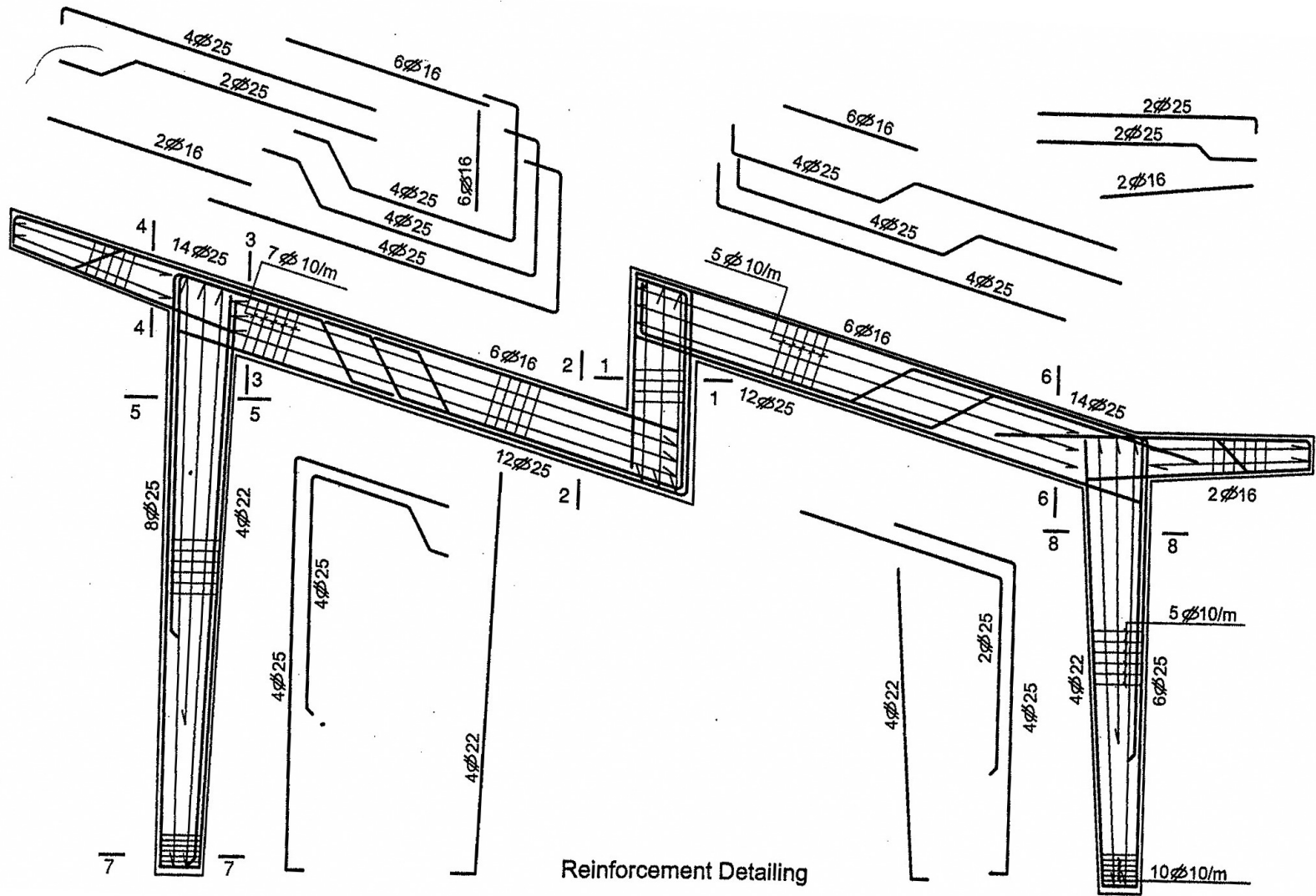









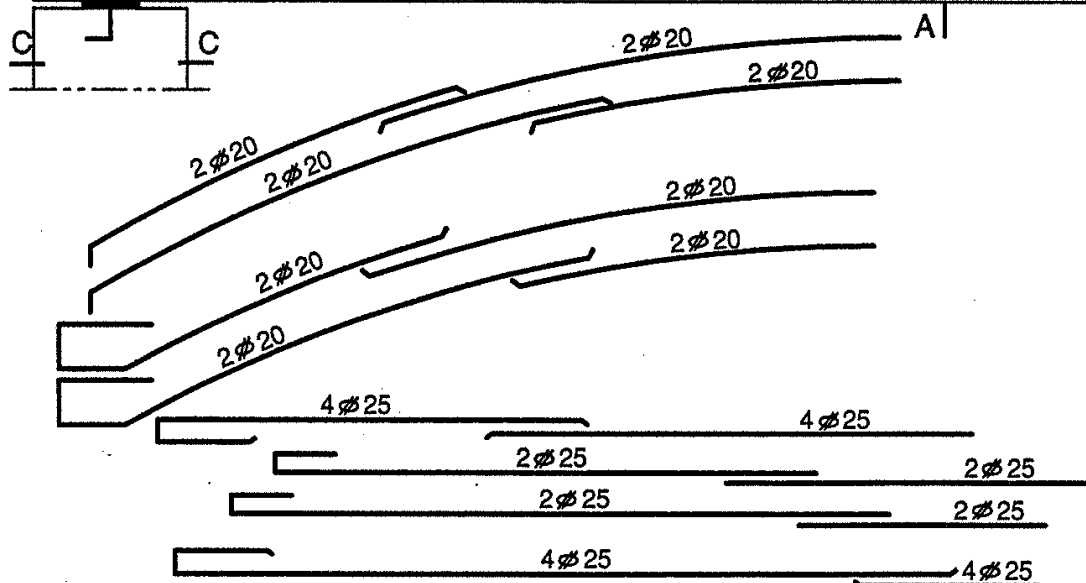
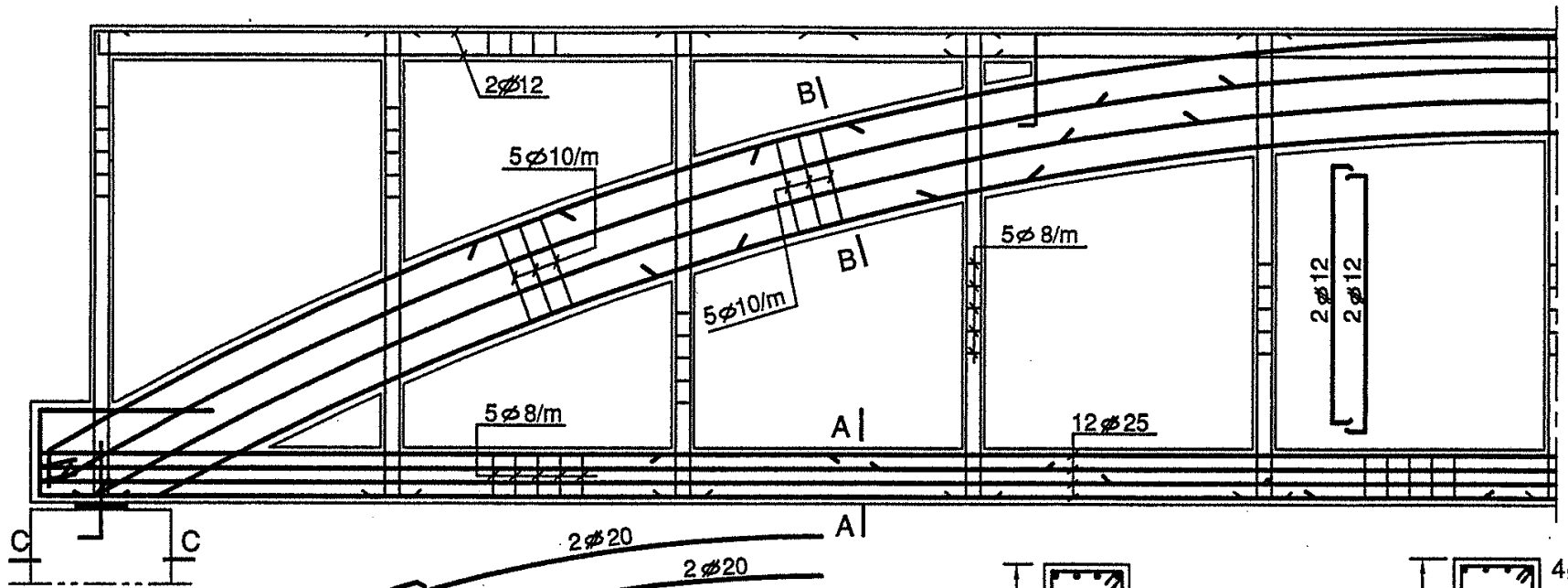




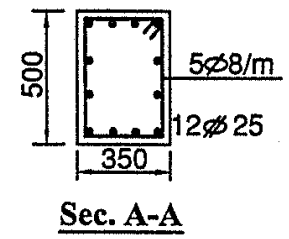
Reinforcement Detailing



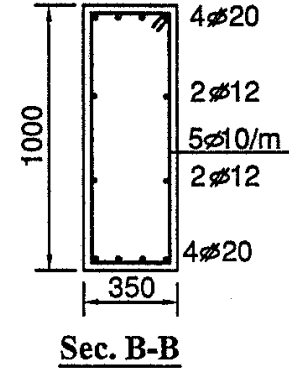
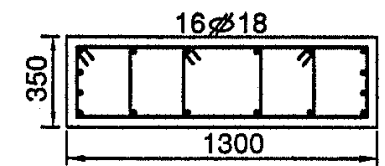
Reinforcement Details of Arches



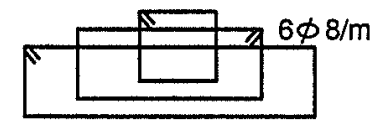
Reinforcement Details of the Arch



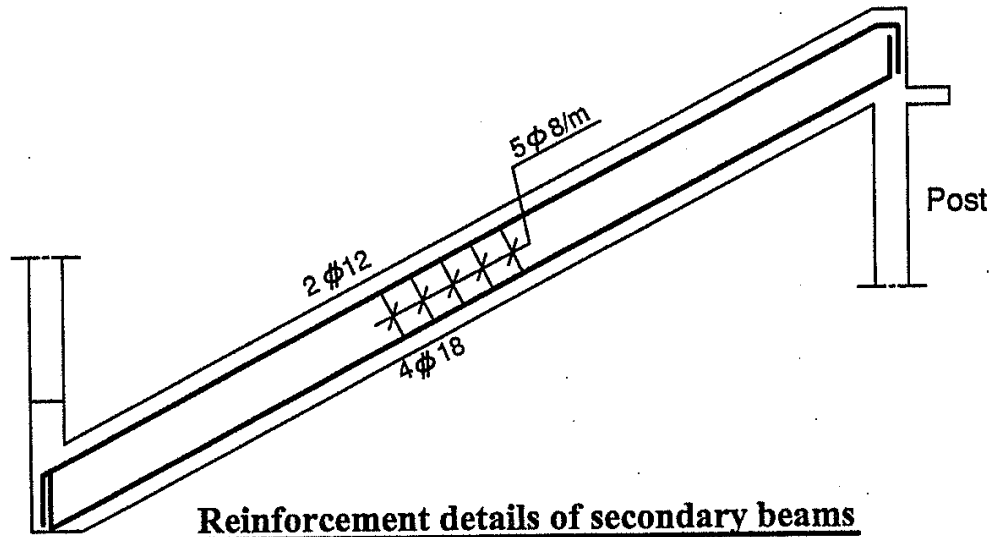
Sec. A-A



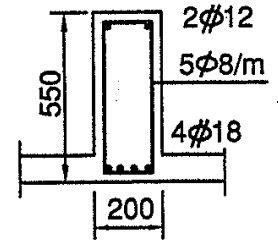
Sec. B-B



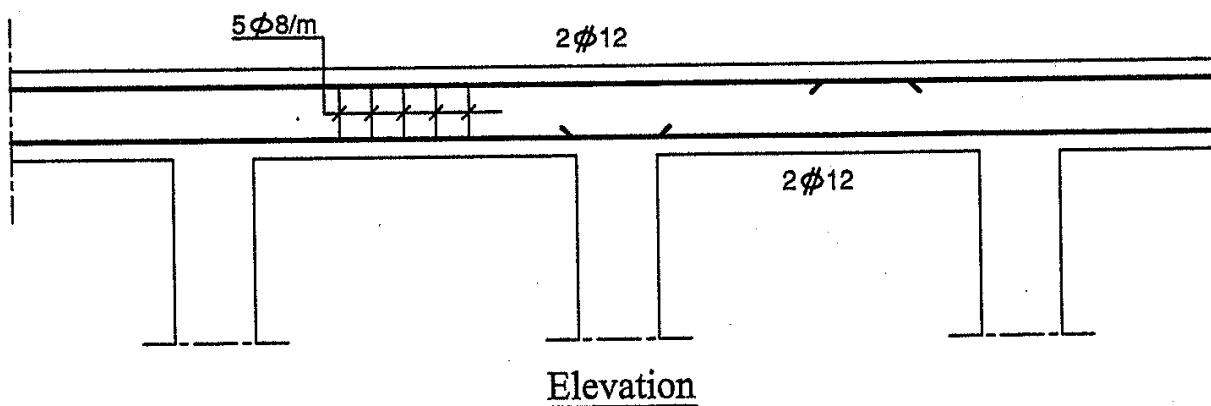
Sec. C-C



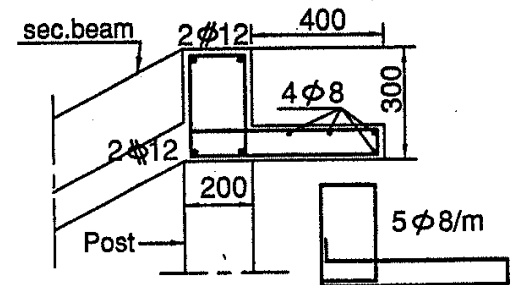
Reinforcement details of secondary beams



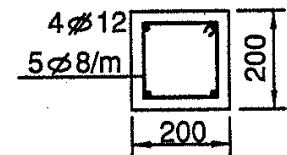
Detail of sec. beam



Reinforcement details of ridge beam



Detail of ridge beam



Post detail

Reinforcement Details of the Arch (cont.)