

6th of October

Design of Deep Beams

Given

$$f_{cu} = 250 \text{ Kg/cm}^2$$

$$f_y = 3600 \text{ Kg/cm}^2$$

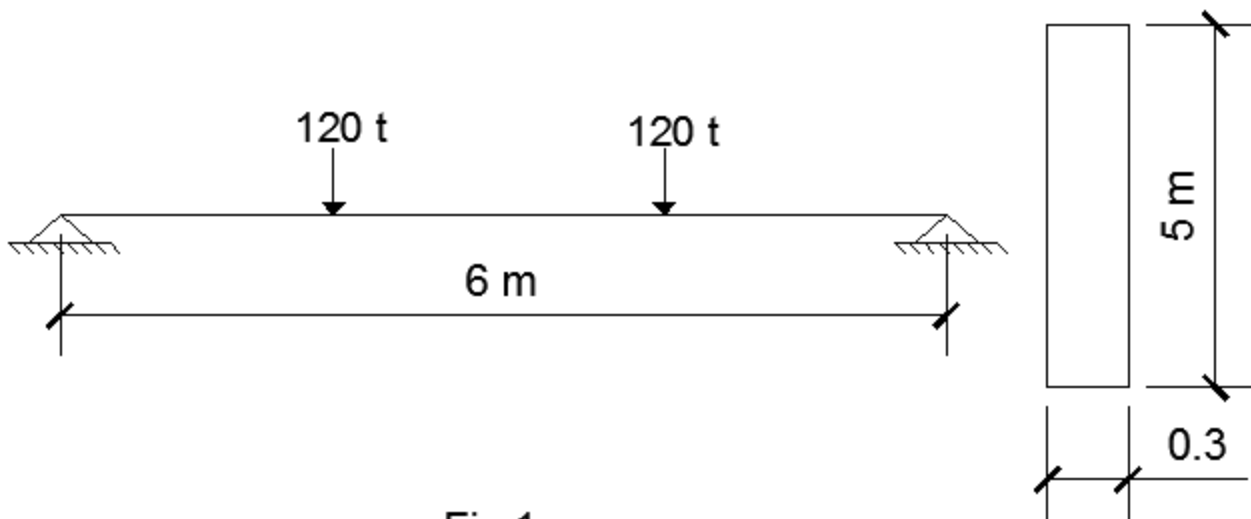


Fig 1



6th of October

