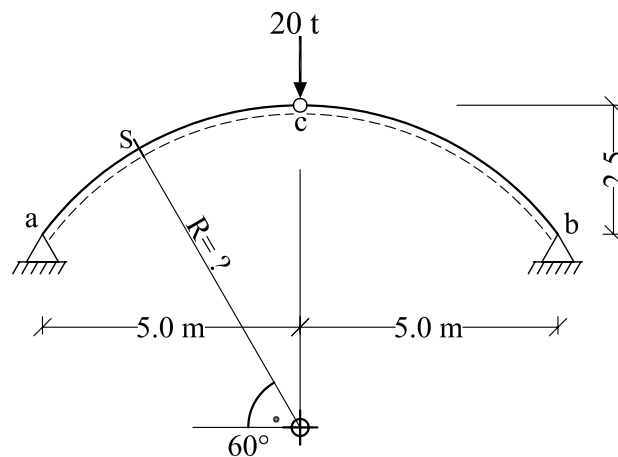
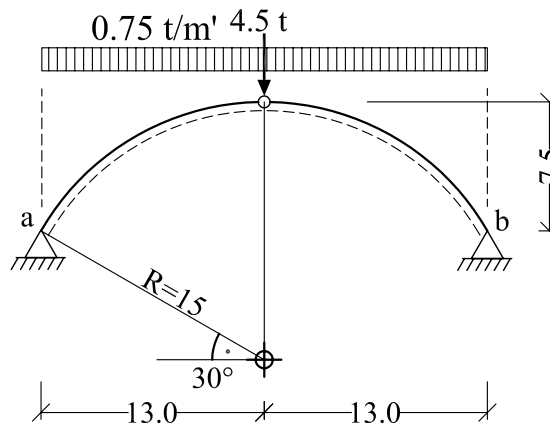




- 1) For the following circular Arch, derive the internal forces equations (N, Q & M) for part a-c and hence find its values at the marked section (S).



- 2) Draw the NFD, SFD and BMD for the following Circular Arch.



- 3) Draw the NFD, SFD and BMD for the following Parabolic Arch.

