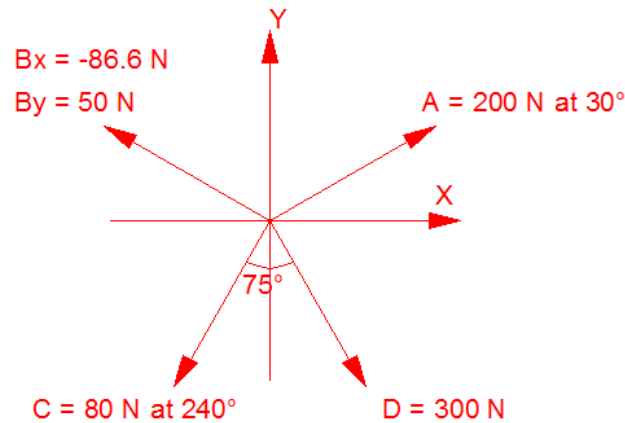


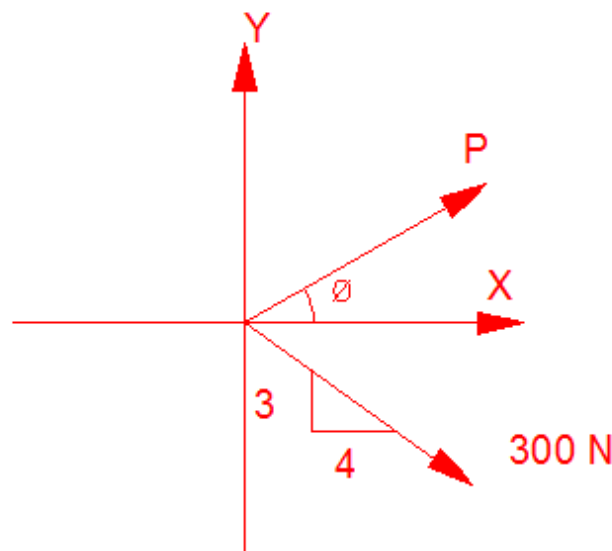
Ministry of Higher Education  
 Higher Technological Institute  
 Civil Engineering Department  
 Structural Engineering Section



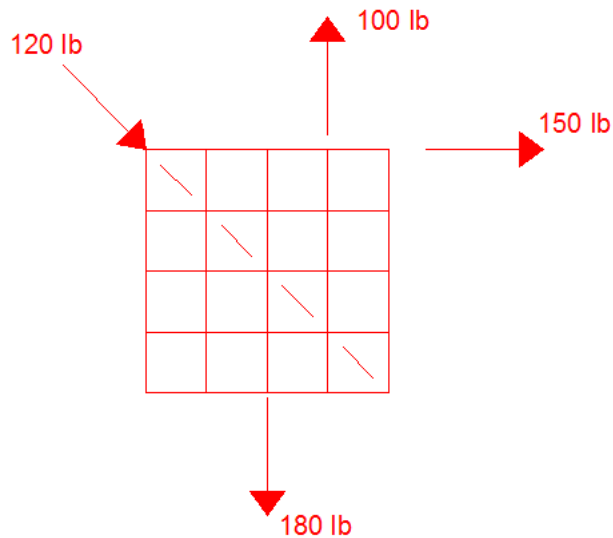
1. For the following shapes find the resultant force that give the same effect of forces A, B, C and d in magnitude and inclination



2. Determine the magnitude and inclination of P force if the resultant force = 500 N directed to right along the x-axis



3. Determine the coplanar Non-concurrent resultant force if each square has 1 ft side length 1) magnitude 2) direction



4. Determine the resultant R and forces P, f if the resultant passes through B vertically. Each square has 1 m side length.

