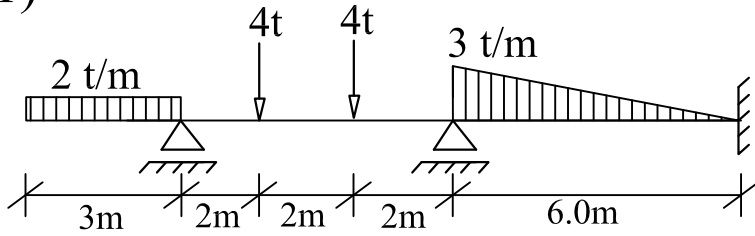
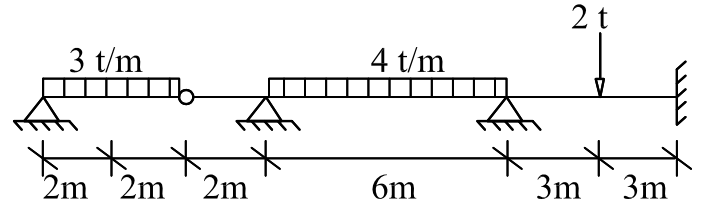


Using the slope deflection method to draw the bending moment according to the given loads:

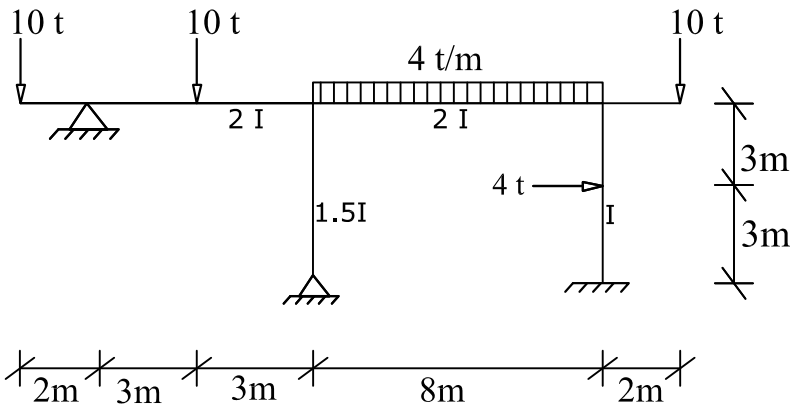
1)



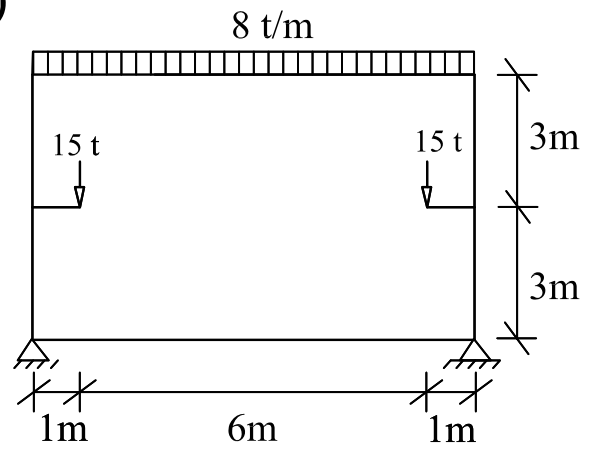
2)



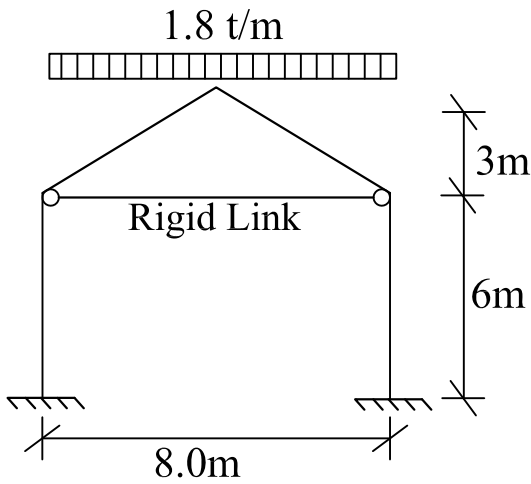
3)



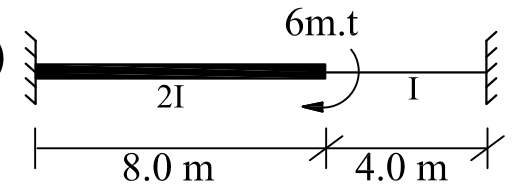
4)



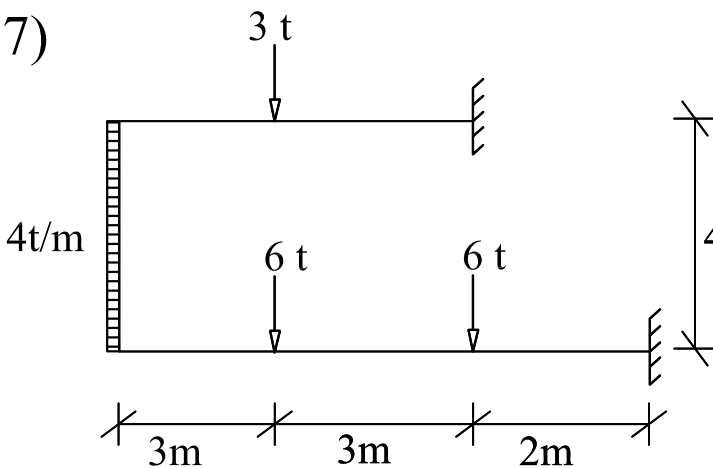
5)



6)



7)



8)

